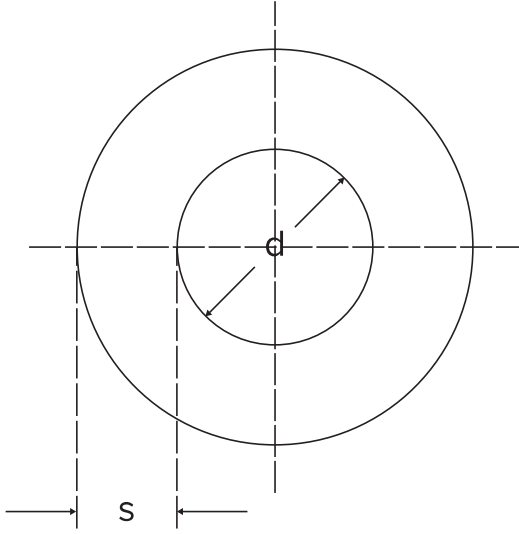


# SİLİKON MAKARONLAR / SILICONE TUBES



## Teknik Bilgiler / Technical Properties

**Çalışma Sıcaklığı / Operating Temperature** -60°C to+200°C  
**Sertlik / Hardness** 60-80 shore A  
**Halojeniz / Halogen Free**

## Paketleme / Packing

**Dış çap 2,0 ile 10mm arası**  
**100mt, 10,0-20,0mm 50 mt, 20,0-35,0mm 25mt kangal**  
 Outer diameters from  
 2,0 to 10,0mm 100mt, 10-20mm 50 mt, 20-35mm 25 mt coils



## Kullanım Alanları / Areas Of Use

**Beyaz eşya sektörü, Endüstriyel ürünler, Tıp ve ilaç sektörü, Gıda sektörü (Şeffaf versiyon için gıdalarda temas)**  
 White goods industry, Industrial Products, Medical and pharmaceuticals industry, Food Industry (Food contact for translucent version)

## Seçenekler (Bizimle iletişime geçiniz) / Options (contact us)

**Diğer çaplar / Other diameters**  
**Diğer renkler / Other solid colors**  
**Kesilmiş boylarda / Cut to needed lengths**  
**Diğer paketleme şekilleri / Other packaging types**

Kalınlık Nominal Thickness mm	Kısa Voltajı (min.) Breakdown Voltage (min.) kV
0,5	4
0,6	5
0,7	6
1,0	8
1,5	12
2,0	15

İç Çap (d) Internal Diameter (d) mm	Kalınlık (s) Nominal Thickness (s) mm	Dış Çap Outer Diameter mm	Yaklaşık Ağırlık Approx. Linear Weight kg/km
1	0,5	2,0	3
1	1,0	3,0	7
1	1,5	4,0	14
2	0,5	3,0	5
2	1,0	4,0	11
2	1,5	5,0	19
2	2,0	6,0	29
3	0,5	4,0	6
3	1,0	5,0	14
3	1,5	6,0	24
3	2,0	7,0	36
3	2,5	8,0	50
4	0,5	5,0	8
4	1,0	6,0	18
4	1,5	7,0	30
4	2,0	8,0	43
4	2,5	9,0	59
4	3,0	10,0	76
5	0,6	6,2	13
5	1,0	7,0	22
5	1,5	8,0	35
5	2,0	9,0	51
5	2,5	10,0	68
6	0,6	7,2	15
6	1,0	8,0	25
6	1,5	9,0	41
6	2,0	10,0	58
6	2,5	11,0	77
7	0,7	8,4	20
7	1,0	9,0	29
7	1,5	10,0	46
7	2,0	11,0	65
8	0,7	9,4	23
8	1,0	10,0	33
8	1,5	11,0	51
8	2,0	12,0	72
10	0,7	11,4	28
10	1,0	12,0	40
10	2,0	14,0	87
10	3,0	16,0	141
12	1,0	14,0	47
12	2,0	16,0	101
12	2,5	17,0	131
14	1,0	16,0	54
15	3,0	21,0	195
18	3,0	24,0	228
20	2,0	24,0	159
20	3,5	27,0	297
30	2,5	35,0	294

**Çap Toleransı - Tolerance on diameter ± 5%**

Katalogtaki bütün teknik detaylar bilgi içindir. ÖNDER KABLO bu katalogta yer alan dizaynları, teknik özellikleri, görselleri ve diğer bilgileri her zaman haber vermeksizin değiştirebilir. Daha detaylı bilgi için lütfen bizimle iletişime geçiniz.

All technical details in the catalogue are only for information. ÖNDER KABLO can always change designs, technical specifications, images and information in this catalog without any notice. Please contact us for further information.